

BEFORE YOU BEGIN

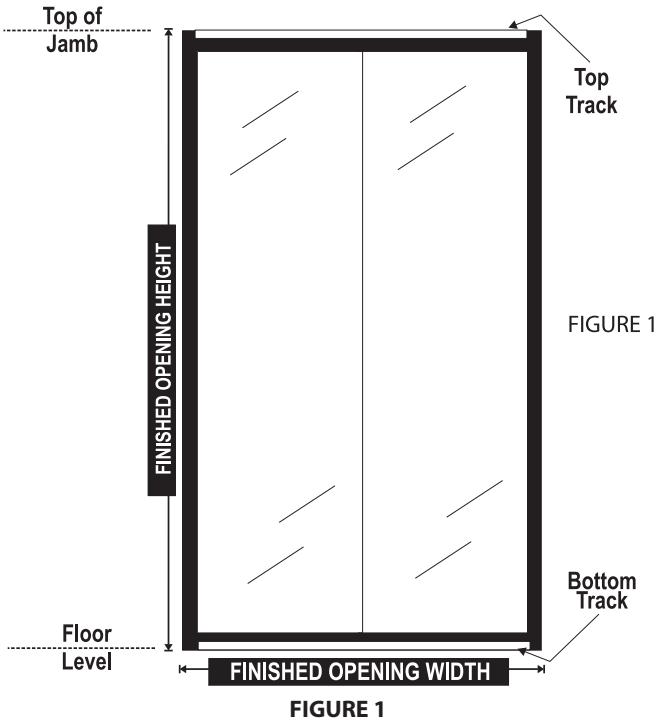
PLEASE FOLLOW ALL INSTRUCTIONS AND ALWAYS USE PROTECTIVE EYEWEAR WHEN INSTALLING A DOOR SYSTEM. PLEASE READ INSTRUCTIONS COMPLETELY.

Assemble Tools

- Safety glasses Level
- Phillips head screwdriver Tape Measure
- Straight head screwdriver Power drill or screw gun (3/16" bit)

Measure Opening

Measure the Finished Opening Size; refer to Specifications below to insure proper door size (FIGURE 1). Finished Door width provides for 1" door overlap at center of opening below to insure proper door size (FIGURE 1).



1/8" (3mm) mirrors for reach-in closet and passage door applications are CATEGORY II safety-backed to conform with ANSI Z97.1-2004 and CPSC16 CFR 1201.

Specifications STANDARD SIZES—TWO PANEL UNITS

Size	Door Width	Finished Opening Width*	FIN. OPNG. HEIGHTS**	
			6'8" Units	8'0" Units
4'0" (1219)	24-5/8" (626)	48" (1219)	80-1/2" (2045)	96" (2439)
5'0" (1524)	30-5/8" (778)	60" (1524)		
6'0" (1829)	36-5/8" (930)	72" (1829)		

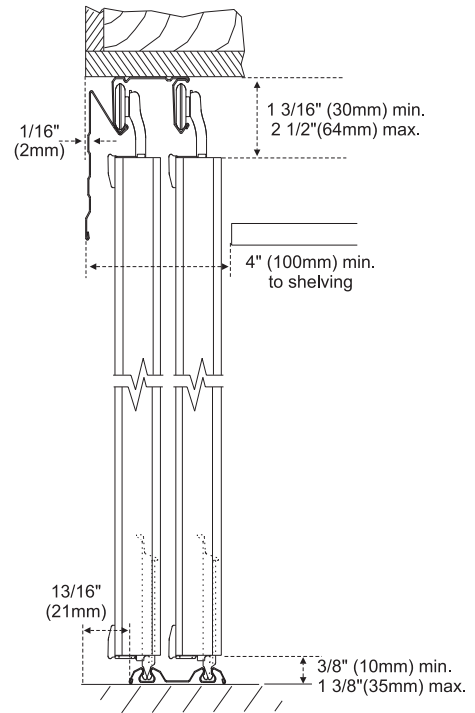
*Finished Opening Width Tolerance +1"/-2" (+25/-50)

**Finished Opening Height Tolerance: +3/4"/-3/4" (+19/-19)

All increments shown in (parenthesis) are metric (millimeter) unless otherwise indicated. Non-standard sizes available; check with your dealer for sizes and availability.

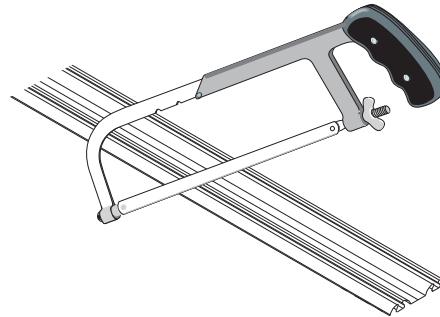
INSTALLATION

Cross-Sectional Layout of Installed Doors



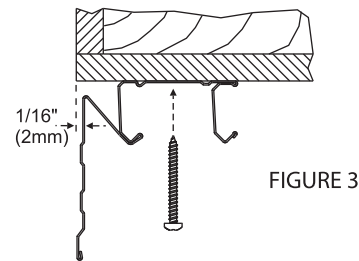
1. Trim Tracks to Size

Saw top track, floor track (and fascia) to length if necessary, using a fine-tooth (32 teeth/inch) hack saw (Figure 2).



2. Attach Top Track.

Screw in the fascia track to the header, locating the front edge 1/16" (2mm) from the jamb face (Figure 3).



3. Attach Bottom Track.

Locate leading edge of the floor track 7/8" from front face of jamb, so doors will hang plumb (Figure 4).

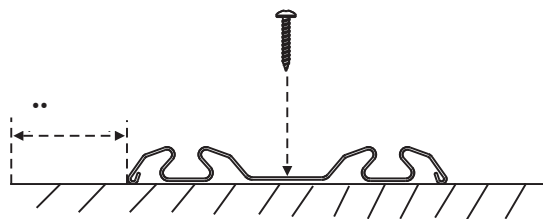
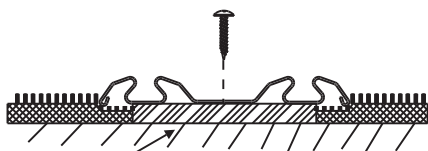


FIGURE 4

If carpeted, wood strip spacers (3/16" to 3/8" thick) are recommended to raise floor track (Figure 5). For installation on top of carpet, see "Existing Dwelling" below.

New Construction: For best results and performance, it is recommended that the track be put down before laying carpet. Depending upon the height of the finished floor, a continuous wood shim can be placed underneath the track to provide additional clearance between the door and carpet. The carpet can be installed up to the track and the door can be installed later.



Wood Strip

FIGURE 5

Existing Dwelling: When installing doors in previously carpeted area, it is recommended to cut the carpet and shim the track with wood strips (Figure 5).

4. Install Doors In Opening

Install rear door first. Insert top of door into the top guide channel first, then swing bottom of door over bottom track and lower rollers into rear groove. Install front door in the same manner (Figure 6).

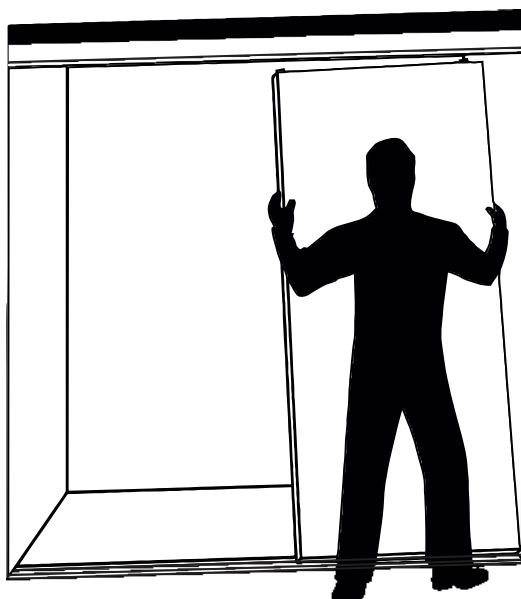


FIGURE 6

5. Vertical Adjustment

Use Phillips screwdriver for vertical adjustment at (A), plumbing left door to left jamb, right door to right jamb (Figure 7). (Screw is self-locking in any position.)

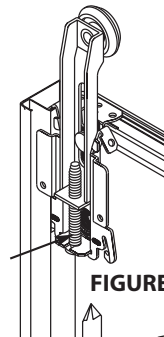
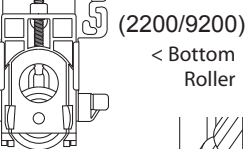
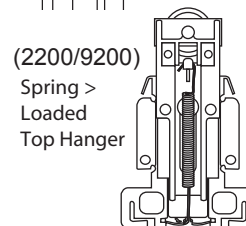


FIGURE 7

6. Set Bottom Guide (2000)

After obtaining approximately 1/2" clearance at floor, press nylon button guide down with thumb or screwdriver at (B) until hooks (C) snap into floor track. Guide will ride up and down in channel to compensate for uneven floor level, without disengaging door. Guide can be removed by prying up under nylon flange (Figure 8).



7. Attach Mirror Pulls (9200)

Attach mirror pull by peeling off the tape protection, as shown, and choose the desired height (approximately 40" (1016mm) high). The pull should be located approximately 1/2" (13mm) in from the door edge (Figure 9).

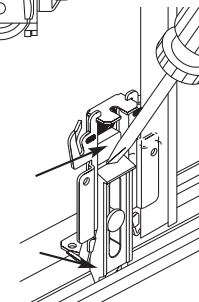


FIGURE 8

8. Remove Protective Film from Mirror Frame

Frames around the glass are covered for protection with a protective film, which must be removed before use. Remove film by hand after doors are installed and adjusted. Do not use sharp tools as this may scratch frame surface. Film presence may be indicated with blue markings for easy identification.

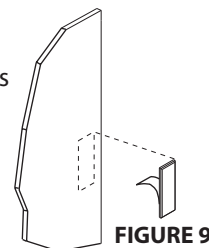


FIGURE 9

9. Install Panel Bumpers

Doors are shipped with four (4) panel bumpers to provide a cushion between the door panel and jamb for maximum quiet operation. Install: Detach bumpers from strip and attach on jamb where the edge of mirror panel(s) and jamb(s) meet. Attach two (2) bumpers in the TOP CORNERS of the opening. Bumpers should be about 2" from the top of the opening. This will accommodate the full bypass function of the panels. (Fig. 10)

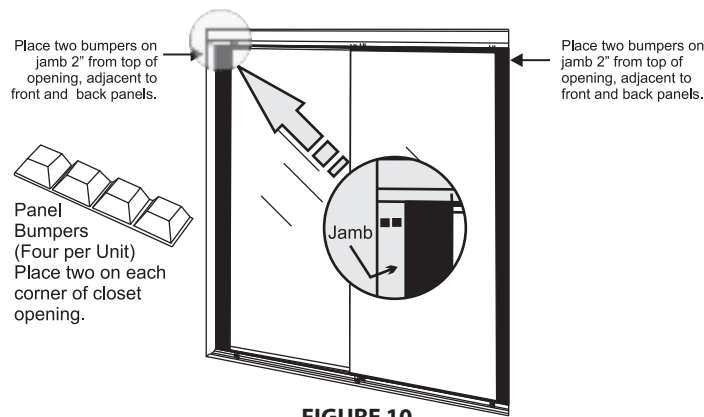


FIGURE 10

Warranty

Alliance Glass Door Inc. products are warranted to be free of defects in material and workmanship for a period of one year. Any defective product is subject to inspection by an authorized representative and Alliance Glass Doors Inc. will repair, replace or refund the original cost of the doors or parts at it's option. Remedies do not include labour, installation costs, finishing costs or indirect or consequential damages.

CARING FOR YOUR ALLIANCE GLASS DOOR KEEP TRACK FREE OF DIRT AND PAINT!

Clean metal surface with a soft cloth using a mild detergent and water. Do not use harsh cleaners or abrasive.

Mirrors

- Clean mirror surface with clean, warm water or approved glass cleaner. Do not use any acid or alkali cleaners or cleaners with ammonia base. They will attack front surface, edges and backing of glass.
- Use a clean, soft cloth when cleaning to avoid scratching mirror surface.
- Never spray any cleaner directly on to the mirror. Apply to cloth first, then wipe mirror.
- Be sure to dry all edges thoroughly.